



Scan for full manual

RC-308 Quick Start Guide

This guide helps you install and use your **RC-308** for the first time.

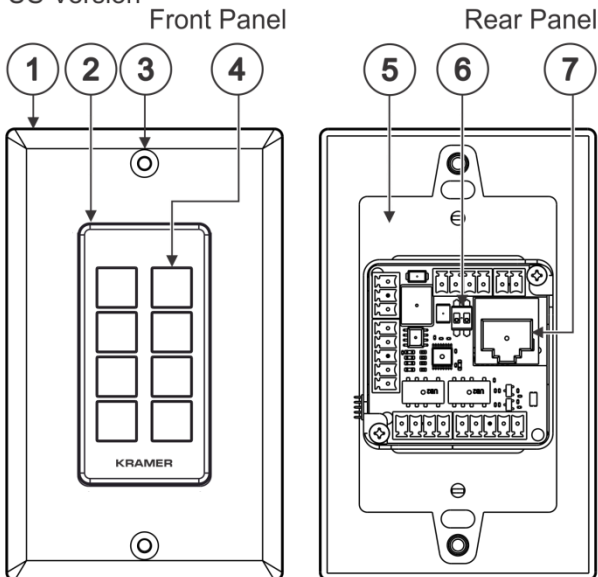
Go to www.kramerav.com/downloads/RC-308 to download the latest user manual and check if firmware upgrades are available.

Step 1: Check what's in the box

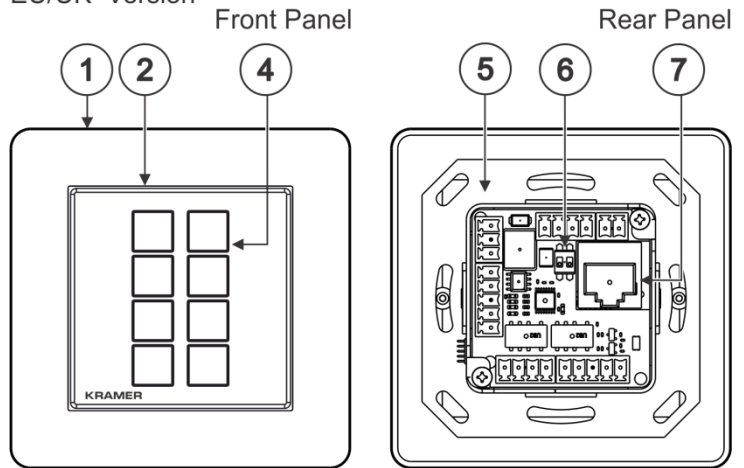
- ✓ RC-308 Ethernet and K-NET Control Keypad
- ✓ 1 Button-cap remover (tweezers)
- ✓ 1 Frame and 1 faceplate
- ✓ 1 Set of button label sheets
- ✓ 1 Quick start guide
- ✓ 8 button caps
- ✓ 1 Power supply and cord

Step 2: Get to know your RC-308

US Version

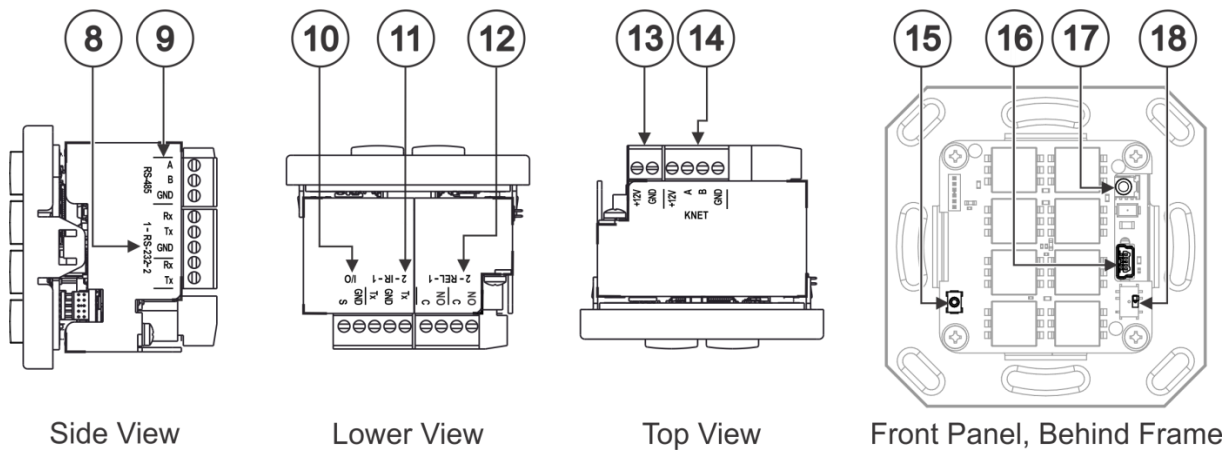


EU/UK Version



#	Feature	Function	
1	Designed Wall Frame	For fixing the RC-308 to the wall.	
2	Button Faceplate	Covers the button area after inserting the button labels.	
3	Mounting Screw Holes	For securing the frame to the wall (US version only).	
4	Configurable RGB Backlit Buttons (8)	Configured to control the room and A/V devices. Remove button covers to insert button labels (included).	
5	Mounting Bracket	For fixing the frame to the in-wall box.	
6	DIP-Switches	For K-NET: The last physical device on a K-NET bus must be terminated. For RS-485: The first and the last units on the RS-485 line should be terminated. Other units should remain unterminated.	
		DIP-switch 1 (to the left) K-NET Line Termination	DIP-switch 2 (to the right) RS-485 Line Termination
		Slide down (ON)	For line termination.
	Slide up (OFF, default)	To leave bus unterminated.	To leave RS-485 line unterminated.
7	PoE ETHERNET RJ-45 Connector	Connect to a PoE-providing Ethernet LAN for control, firmware upgrade and for uploading the configuration.	





#	Feature	Function
8	RS-232 3-pin Terminal Block Connectors (Rx, Tx, GND)	Connect to RS-232 controlled devices (1 and 2, with common GND).
9	RS-485 3-pin Terminal Block Connector	Connect to the RS-485 terminal block connector on another device or PC.
10	I/O 2-pin Terminal Block Connector (S, GND)	Connect to a sensor or device to be controlled, for example, a motion sensor. This port may be configured as a digital input, digital output, or analog input.
11	IR 2-pin Terminal Block Connectors (Tx, GND)	Connect to an IR emitter cable (1 and 2, with common GND).
12	REL 2-pin Terminal Block Connectors	Connect to a device to be controlled by relay. For example, a motorized projection screen (1 and 2).
13	12V Power Supply 2-pin Terminal Block Connector (+12V, GND)	Connect to the power supply. Connect GND to GND and 12V to 12V. You can also power the unit via a PoE provider.
14	KNET 4-pin Terminal Block Connector	Connect the GND pin to the Ground connection; pin B (-) and pin A (+) are for RS-485, and the +12V pin is for powering the connected unit.
15	Factory Reset Button	Press while connecting the power and then release to reset the device to its default parameters. To access this button, you need to remove the Button Faceplate.
16	Mini USB Type B Port	Connect to your PC for firmware upgrade or for uploading the configuration. To access the USB port, you need to remove the Button Faceplate.
17	IR Sensor	For learning commands from an IR remote control transmitter.
18	Programing DIP-switch	For internal use.

Step 3: Configure RC-308

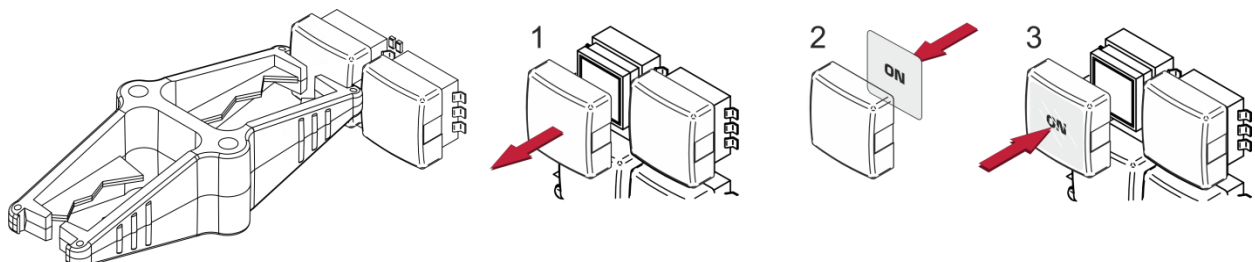
To configure RC-308 buttons via K-Config:

- Configure **RC-308** (go to www.kramerav.com/product/K-Config).
- Connect **RC-308** to a PC via the Ethernet or connect via the mini USB port.
- Sync the configuration to the **RC-308**.

To insert a button label:

When inserting a button label for the first time, start from #3 below. When replacing a button label, start from #1 below.

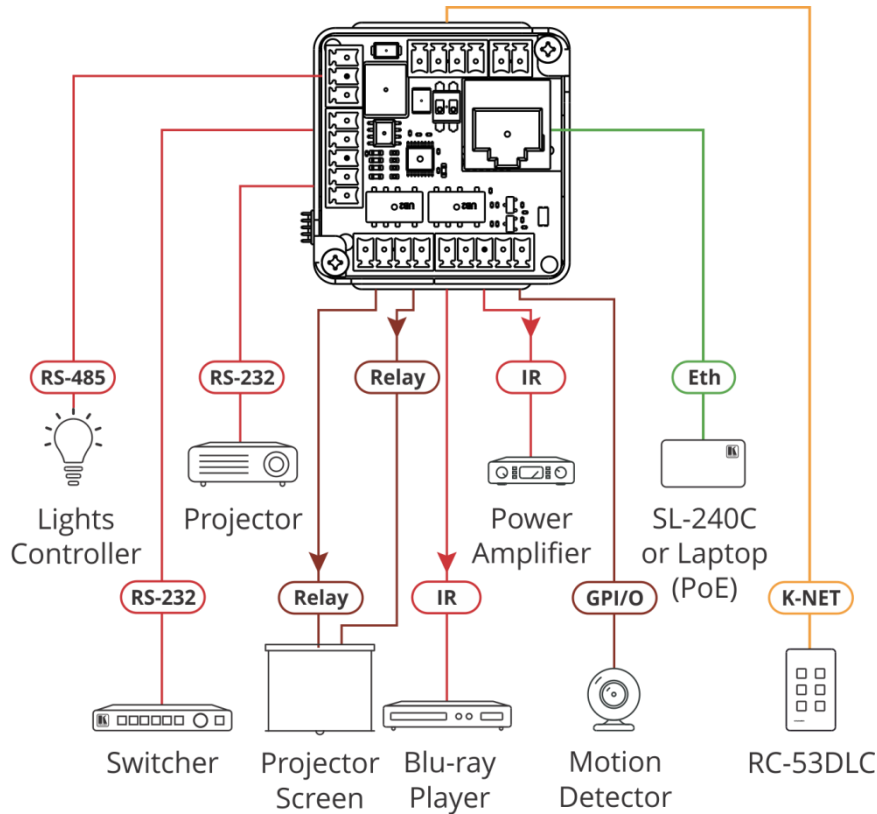
1. Using the supplied tweezers, grip the button via the left and right ledges.
2. Remove the button cap.
3. Cut out the appropriate button labels from the button label sheets and place a label over the button.
4. Cover with the button cap in the correct direction (with ledges left to right).



You do not have to detach the faceplate to remove a button.

Step 4: Connect the inputs and outputs

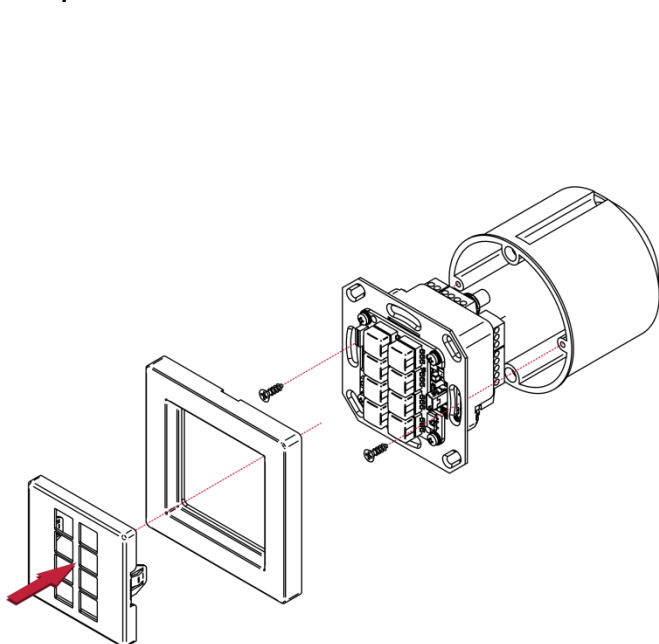
Always switch OFF the power on each device before connecting it to your **RC-308**. For best results, we recommend that you always use Kramer high-performance cables to connect AV equipment to **RC-308**.



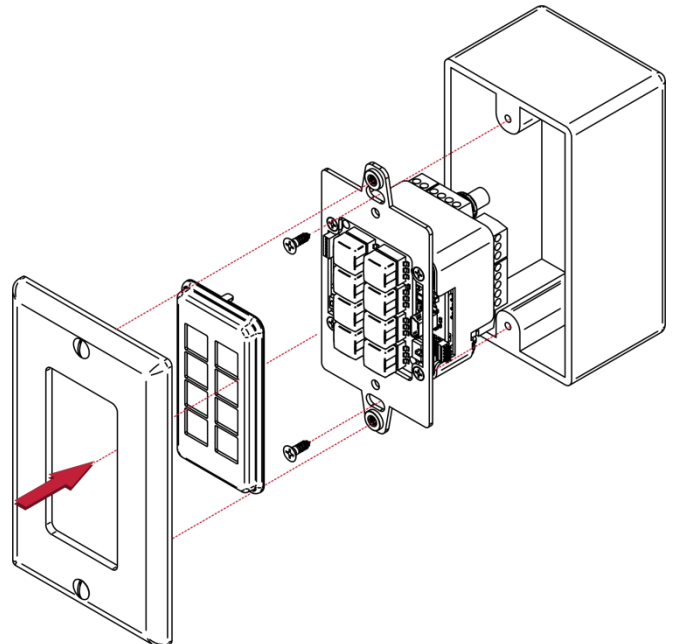
Step 5: Install RC-308

After connecting the ports, insert the device into the in-wall box and connect the parts as shown in the illustrations below:

European Version



US Version



We recommend that you use any of the following standard 1 Gang in-wall junction boxes:

- **US**: 1 Gang US electrical junction boxes.
- **EU**: 1 Gang in-wall junction box, 47mm minimum depth (DIN 49073).
- **UK**: 1 Gang in-wall junction box, 75x75mm, 47mm depth (BS 4662).

Step 6: Connect the power

If the device is not powered via PoE, connect the 12V DC power adapter to the **RC-308** and plug the adapter into the mains.

Safety Instructions



Caution: There are no operator serviceable parts inside the unit.
Warning: Disconnect the power and unplug the unit from the wall before installing.
See www.KramerAV.com for updated safety information.

Step 7: Operate RC-308

Operate **RC-308** via the front panel buttons, as a room controller keypad configured via **K-Config**.

Technical Specifications

Inputs	1 IR Sensor	For IR learning
Outputs	2 IR	On 3-pin terminal block connectors
Ports	2 RS-232	On 5-pin terminal block connectors
	1 RS-485	On a 3-pin terminal block connector
	1 K-NET	On a 4-pin terminal block connector
	2 Relays	On 2-pin terminal block connectors (30V DC, 1A)
	1 GPI/O	On a 2-pin terminal block connector
	1 Mini USB	On a female mini USB-B connector for configuration and firmware upgrade
	1 Ethernet	On an RJ-45 female connector for device configuration, control and firmware upgrade
Default IP Settings	DHCP Enabled	In order to connect to the RC-308 on first installation, you need to identify the IP address that has been automatically assigned to the RC-308
Power	Consumption	12V DC, 780mA
	Source	PoE or 12V DC, 2A with open DC head
Cooling	Convection Ventilation	
Environmental Conditions	Operating Temperature	0° to +40°C (32° to 104°F)
	Storage Temperature	-40° to +70°C (-40° to 158°F)
	Humidity	10% to 90%, RHL non-condensing
Regulatory Compliance	Safety	CE, UL
	Environmental	RoHs, WEEE
Enclosure	Size	1 Gang wall plate
	Type	Decora®
General	Net Dimensions (W, D, H)	US: 7.9cm x 4.7cm x 12.4cm (3.1" x 1.9" x 4.9) EU: 8cm x 4.7cm x 8cm (3.1" x 1.9" x 3.1) UK: 8.6cm x 4.7cm x 8.6cm (3.4" x 1.9" x 3.4)
	Shipping Dimensions (W, D, H)	23.2cm x 13.6cm x 10cm (9.1" x 5.4" x 3.9")
	Net Weight	0.11kg (0.24lbs)
	Shipping Weight	0.38kg (0.84lbs) approx.
Accessories	Included	Special tweezers for removing button caps
	Optional	For optimum range and performance use the recommended USB, Ethernet, serial and IR Kramer cables available at www.kramerav.com/product/RC-308
Specifications are subject to change without notice at www.kramerav.com		